

GLOBE CONTROL VALVE (GCV-10)

TECHNICAL INFORMATION SHEET

CARBON STEEL (ASTM A216 Gr. WCB)

CLASS / RATING : #150 & #300 | SIZE : 25 NB TO 50 NB



DESCRIPTION

Volfram Globe Control Valve(GCV) are available in carbon steel ASTM A216 Gr. WCB. These GCV have variety of application for process industry such as control the flow of media, and also achieve the pressure reduction. Volfram GCV are provided with most modern design and construction, in accordance with the latest requirement of ISA / IBR standards.

SIZES & CLASS / RATINGS

- Available Sizes : 25 NB, 40 NB, 50NB
- Available Class : #150 & #300 (ASME B 16.5)
- End Connection : Flanged Ends

CERTIFICATION : These GCV are available with IBR certification (Indian Boiler Regulations).

FEATURES

- Volfram GCV are available with Pneumatic Actuator.
- These Valve can be equipped with the Limit switches, Positioners, Solenoid Valve, Extended bonnet etc.

PRINCIPLE OF OPERATION

The medium flows through the valve in the direction indicated by the arrow. The valve plug position determines the cross-sectional area between the seat and plug.

Parameters	Class #150	Class #300
Maximum Operating Pressure	19.9 Kg/cm ² @ 30°C	52.1 Kg/cm ² @ 30°C
Maximum Operating Temperature	425°C @ 5.6 Kg/cm ²	425°C @ 29.3 Kg/cm ²
Hydro Test Pressure (As Per IBR)	29.98 Kg/cm ² @ 30°C	78.16 Kg/cm ² @ 30°C



GLOBE CONTROL VALVE (GCV-10)

BILL OF MATERIAL

Sr. No.	Parts	Materials
01	Body	ASTM A216 WCB
02	Bonnet	ASTM A216 WCB
03	Seat	SS 304/316
04	Plug	SS 304/316
05	Guide Bushings	SS 304/316
06	Packing	Graphite
07	Body Gasket	Graphite With Tanged SS

INSTALLATION :

Globe Control Valve must be installed in horizontal position, the actuator assembly movement must be vertical. Hence the arrow on name plate must point flow direction. Before installing GCV, the inlet piping should be carefully blown down to remove any existing pipe debris.

* NOTE.: WE RESERVE THE RIGHT TO CHANGE SPECIFICATIONS WITHOUT PRIOR NOTICE FOR THE DEVELOPMENT AND IMPROVEMENT OF THE PRODUCT.



VOLFRAM SYSTEMS INDIA PVT. LTD.

OFFICE ADDRESS : 402, RUTUVIHAR, VARANASI SOCIETY, WARJE, PUNE, 411058

FACTORY ADDRESS : D II, BLOCK NO. 58&59- 13/14/15, OPP. SPACO CO., SANT

DYANESHWAR INDUSTRIAL ESTATE, MOHAN NAGAR, MIDC CHINCHWAD, 411019

Tel.: +91 9309534688 | Email: steam@volfram.in | www.volfram.in

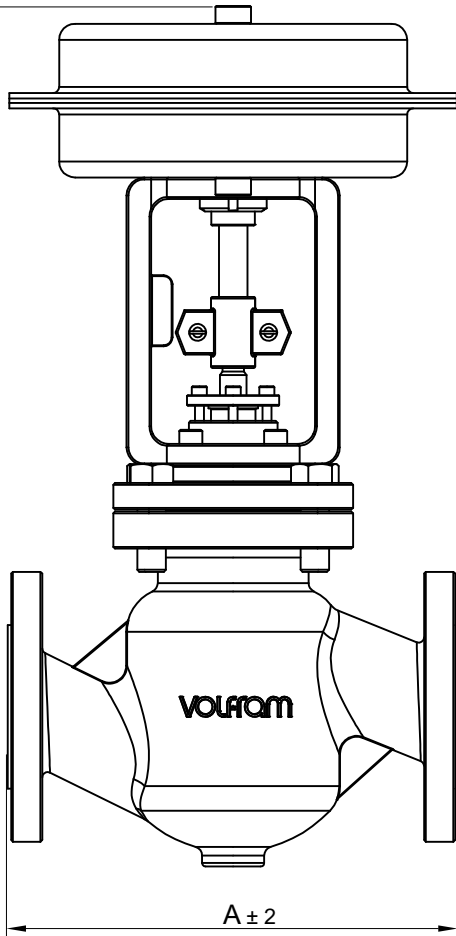
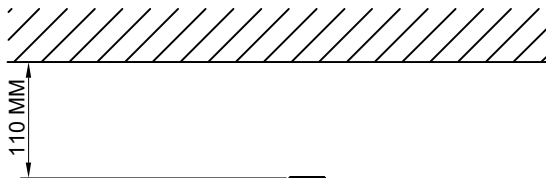
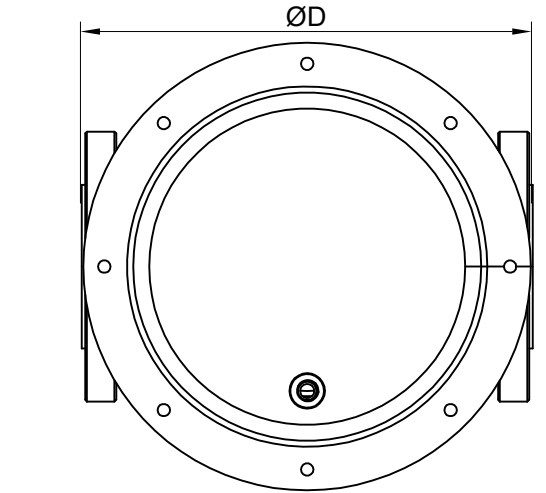
VO JULY 2023

GLOBE CONTROL VALVE (GCV-10)

TECHNICAL INFORMATION SHEET

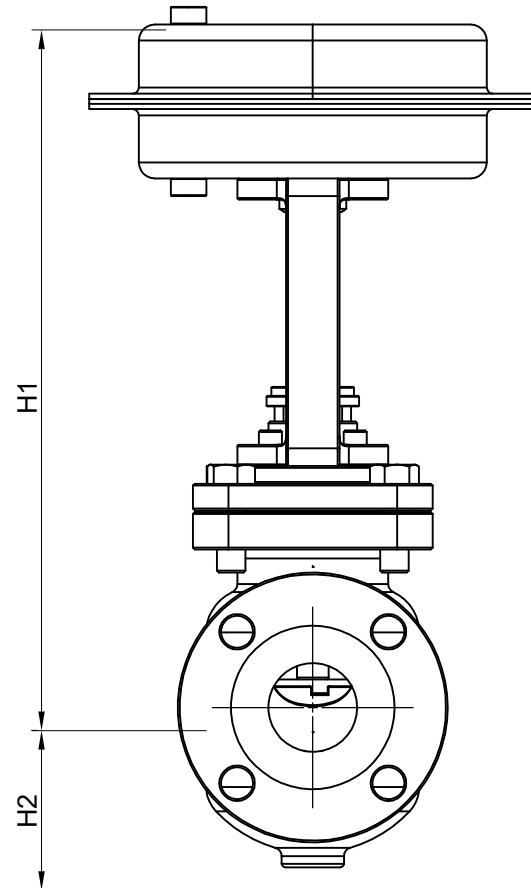
CARBON STEEL (ASTM A216 Gr. WCB)

CLASS / RATING : #150 & #300 | SIZE : 25 NB TO 50 NB



DIMENSIONS(MM) & WEIGHTS				
Size (NB)		25	40	50
Class #150	A	184	222	254
	H1	360	390	400
	H2	60	80	90
	D	252	252	252
Weight (KG)		15.5	20	24
Class #300	A	197	235	267
	H1	360	390	400
	H2	60	80	90
	D	252	252	252
Weight (KG)		17.0	21.5	26

* NOTE : ALL DIMENSIONS ARE IN MM(GENERAL TOLERANCE IS ± 10 MM.)



* NOTE.:

1. THIS SCHEMATICS IS ONLY FOR REFERENCE PURPOSE THE ACTUAL PRODUCT MAY LOOK DIFFERENT.
2. WE RESERVE THE RIGHT TO CHANGE SPECIFICATIONS WITHOUT PRIOR NOTICE FOR THE DEVELOPMENT AND IMPROVEMENT OF THE PRODUCT.



VOLFRAM SYSTEMS INDIA PVT. LTD.

OFFICE ADDRESS : 402, RUTUVIHAR, VARANASI SOCIETY, WARJE, PUNE, 411058

FACTORY ADDRESS : D II, BLOCK NO. 58&59- 13/14/15, OPP. SPACO CO., SANT DYANESHWAR INDUSTRIAL ESTATE, MOHAN NAGAR, MIDC CHINCHWAD, 411019

Tel.: +91 9309534688 | Email: steam@volfram.in | www.volfram.in

V0 JULY 2023